

L.C. BLOWERS FILTERED INLET

MODEL: 4121 - LC

Revision: 0

BULLETIN
4121

DESCRIPTION

Model 4121-LC (Low Cost) Blowers are rugged, dependable, constant pressure machines. These blowers are used for many industrial and commercial applications requiring air at a specific pressure and volume.

The unique design of the single stage unit incorporates a minimum of field maintenance. Sideplates and scroll are steel. Special designed extruded rubber seals, held tight by tie bolts, prevent leakage. Aluminum impellers, direct connected, provide smooth and quiet operation of the blowers.

3450 RPM face-mounted open motors are furnished as standard. T.E.F.C. motors available at additional cost. No special shafts are required. Outlet positions are easily changed in the field to accommodate the installation. Sturdy, angle-type legs may be bolted in one of four positions. The blowers are supplied with filtered inlet, counter-clockwise rotation (as viewed from the motor side), and bottom horizontal discharge flange with extension for flexible connection.

All these features incorporated in our LC Blower permit easy, rapid cleaning with a minimum of maintenance.

Available accessories to be used with the LC Blowers are the **Flexible Blower Sleeves, Blower Vibration Pads, Blower Silencer Packages, and Replacement Filter Elements.**

NOTE:

1. CFM capacities are based on 1.15 motor service factor, 60 Hz, 3450 RPM.
2. Blower motor may be damaged if operated without limiting orifice.

CAPACITY TABLE - OPEN MOTOR

Blower Model Number	Outlet Pressure psi	Air CFM
LC 8-4-1	8	300
LC 8-6-1-1/2	8	450
LC 8-6-2	8	575
LC 8-6-3	8	850
LC 8-8-5	8	1430
LC 8-12-7-1/2	8	2200
LC 8-12-10	8	2900
LC 12-4-1	12	140
LC 12-4-1-1/2	12	250
LC 12-6-2	12	390
LC 12-6-3	12	550
LC 12-8-5	12	960
LC 12-8-7-1/2	12	1225
LC 12-8-10	12	1850

Blower Model Number	Outlet Pressure psi	Air CFM
LC 16-4-1-1/2	16	175
LC 16-4-2	16	275
LC 16-4-3	16	375
LC 16-6-5	16	675
LC 16-6-7-1/2	16	1050
LC 16-8-10	16	1385
LC 20-4-3	20	350
LC 20-6-5	20	590
LC 20-6-7-1/2	20	900
LC 20-8-10	20	1150
LC 24-6-5	24	430
LC 24-6-7-1/2	24	640
LC 24-6-10	24	995



FEATURES

- Low cost
- High capacity
- Rugged, light weight construction
- Low maintenance
- Capacities -- 140 - 2900 cfm
- Filtered inlet
- Pressures - 8, 12, 16, 20, and 24 psi
- Four standard discharge positions - easily changed
- All units factory tested before shipment

CAUTION: Operation of combustion equipment can be hazardous resulting in bodily injury or equipment damage. Each burner should be supervised by a combustion safeguard and only qualified personnel should install, make system adjustments and perform any required service.



ORDAN THERMAL PRODUCTS LTD
 Combustion Equipment & Controls for Industry
 21 Amber St # 9, Markham Ontario Canada L3R 4Z3
 Tel: (905) 475-9292 Fax: (905) 475-3286
www.ordanthermal.com

NOTICE: PYRONICS practices a policy of continuous improvement in the design of its products. It reserves the right to change the specifications at any time without prior notice.

L.C. BLOWERS FILTERED INLET

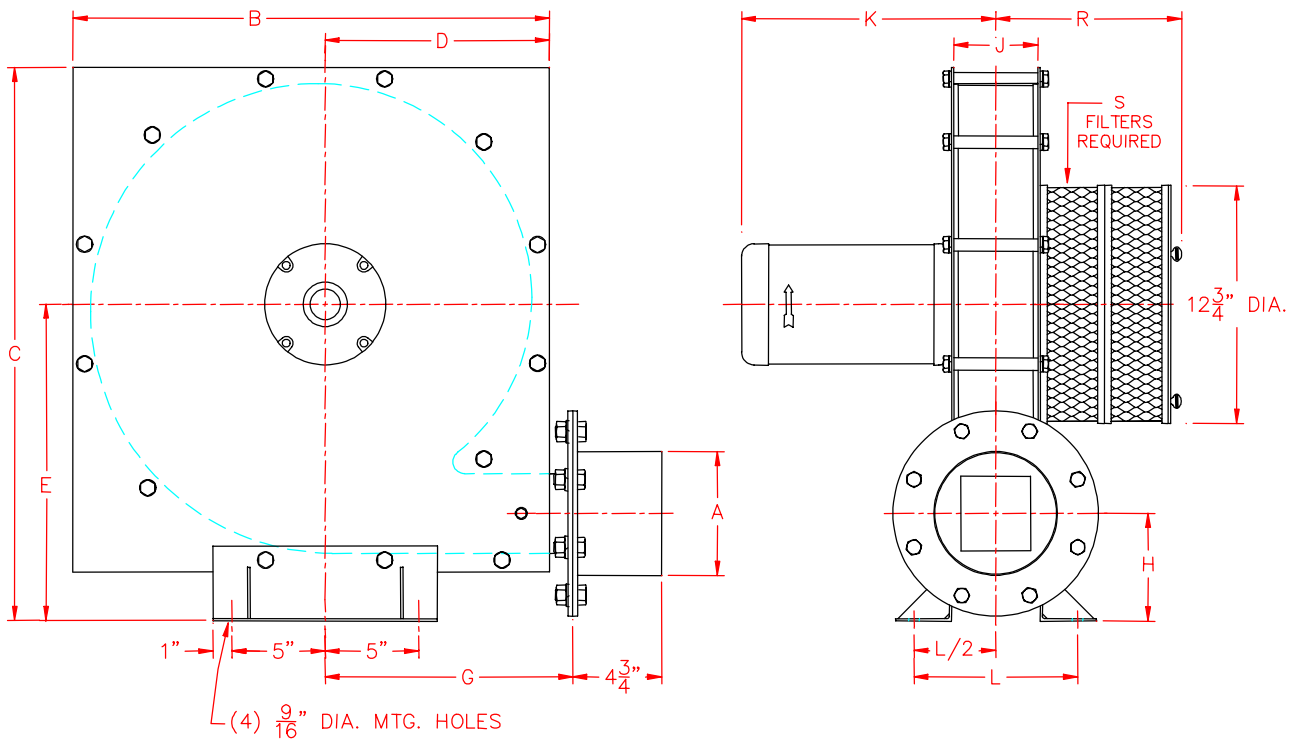
BULLETIN 4121
PAGE NO. 2

CAPACITY TABLE - T.E.F.C. MOTOR

Blower Model Number	Outlet Pressure psi	Air CFM
LC 8-4-1-T	8	255
LC 8-6-1-1/2-T	8	380
LC 8-6-2-T	8	485
LC 8-6-3-T	8	720
LC 8-8-5-T	8	1230
LC 8-12-7-1/2-T	8	1870
LC 8-12-10-T	8	2465
LC 12-4-1-T	12	120
LC 12-4-1-1/2-T	12	210
LC 12-6-2-T	12	330
LC 12-6-3-T	12	465
LC 12-8-5-T	12	815
LC 12-8-7-1/2-T	12	1040
LC 12-8-10-T	12	1570

Blower Model Number	Outlet Pressure psi	Air CFM
LC 16-4-1-1/2-T	16	150
LC 16-4-2-T	16	230
LC 16-4-3-T	16	320
LC 16-6-5-T	16	570
LC 16-6-7-1/2-T	16	890
LC 16-8-10-T	16	1175
LC 20-4-3-T	20	295
LC 20-6-5-T	20	500
LC 20-6-7-1/2-T	20	765
LC 20-8-10-T	20	975
LC 24-6-5-T	24	365
LC 24-6-7-1/2-T	24	545
LC 24-6-10-T	24	845

DIMENSIONS



L.C. BLOWERS FILTERED INLET

BULLETIN 4121
PAGE NO.3

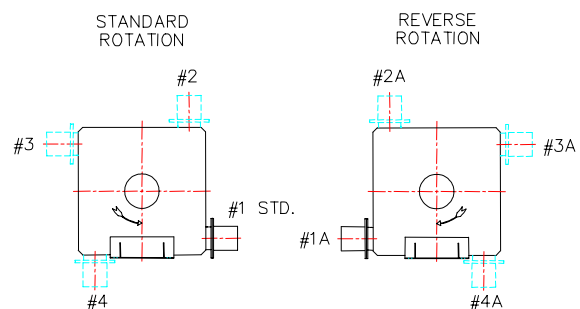
DIMENSIONS

Blower Model Number	A	B	C	D	E	G	H	J	K	L	R	S	Approx. Weight Lbs.
LC 8-4-1	4-1/2	22	24-5/8	10-1/8	13-3/8	10-7/8	3-7/8	2-1/4	11-1/2	8-5/8	5-3/8	1	120
LC 8-6-1-1/2	6-5/8	23	27-5/8	10-1/4	16-3/16	11-1/4	6-11/16	4-1/2	12-1/2	10-3/4	10	2	150
LC 8-6-2	6-5/8	23	27-5/8	10-1/4	16-3/16	11-1/4	6-11/16	4-1/2	12-1/2	10-3/4	10	2	160
LC 8-6-3	6-5/8	23	27-5/8	10-1/4	16-3/16	11-1/4	6-11/16	4-1/2	13-5/8	10-3/4	13-1/2	3	165
LC 8-8-5	8-5/8	23	27-5/8	10-1/4	16-3/16	11-1/4	6-11/16	8	18	14-1/4	22-1/8	5	210
LC 8-12-7-1/2	12-3/4	29-5/8	37-7/8	12-1/8	23-1/8	14	10-1/8	8	18	14-3/8	29	7	270
LC 8-12-10	12-3/4	29-5/8	37-7/8	12-1/8	23-1/8	14	10-1/8	8	20	14-3/8	35-7/8	9	310
LC 12-4-1	4-1/2	25-1/2	27-5/8	12	15	13-1/4	3-3/4	2-1/4	11-1/2	8-5/8	5-3/8	1	125
LC 12-4-1-1/2	4-1/2	25-1/2	27-5/8	12	15	13-1/4	3-3/4	2-1/4	11-1/2	8-5/8	5-3/8	1	140
LC 12-6-2	6-5/8	25-1/2	29-5/8	12	17	13-1/4	5-3/4	4-1/2	13-5/8	10-3/4	10	2	170
LC 12-6-3	6-5/8	25-1/2	29-5/8	12	17	13-1/4	5-3/4	4-1/2	13-5/8	10-3/4	10	2	180
LC 12-8-5	8-5/8	28-1/4	34-5/8	11-7/8	20-1/4	13-3/4	7-3/8	8	18	14-1/4	15-1/4	3	245
LC 12-8-7-1/2	8-5/8	28-1/4	34-5/8	11-7/8	20-1/4	13-3/4	7-3/8	8	18	14-3/8	18-5/8	4	250
LC 12-8-10	8-5/8	28-1/4	34-5/8	11-7/8	20-1/4	13-3/4	7-3/8	8	20	14-3/8	25-1/2	6	300
LC 16-4-1-1/2	4-1/2	27	28-5/8	13	15-1/8	13-3/4	3-5/8	2-1/4	11-1/2	8-1/2	5-3/8	1	145
LC 16-4-2	4-1/2	27	28-5/8	13	15-1/8	13-3/4	3-5/8	2-1/4	11-1/2	8-1/2	5-3/8	1	155
LC 16-4-3	4-1/2	27	28-5/8	13	15-1/8	13-3/4	3-5/8	2-1/4	12-1/2	8-1/2	8-7/8	2	160
LC 16-6-5	6-5/8	29-5/8	35-3/8	13-1/2	20-5/8	14-3/4	7-3/8	4-1/2	16-1/2	10-7/8	10	2	225
LC 16-6-7-1/2	6-5/8	29-5/8	35-3/8	13-1/2	20-5/8	14-3/4	7-3/8	4-1/2	16-1/2	10-7/8	16-7/8	4	230
LC 16-8-10	8-5/8	29-5/8	35-3/8	13-1/2	20-5/8	14-3/4	7-3/8	8	20	14-3/8	22	5	300
LC 20-4-3	4-1/2	27	28-5/8	13	15-1/8	13-3/4	3-5/8	2-1/4	12-1/2	8-1/2	8-7/8	2	225
LC 20-6-5	6-5/8	31-5/8	37-3/8	14-5/8	21-3/8	16	7-3/8	4-1/2	16-1/2	10-3/4	10	2	240
LC 20-6-7-1/2	6-5/8	31-5/8	37-3/8	14-5/8	21-3/8	16	7-3/8	4-1/2	16-1/2	10-7/8	13-3/8	3	250
LC 20-8-10	8-5/8	31-5/8	39-3/8	14-5/8	23-3/8	16	9-3/8	8	20	14-3/8	18-5/8	4	325
LC 24-6-5	6-5/8	34	38-7/8	15-3/4	21-5/8	17-1/2	6-1/8	4-1/2	16-1/2	10-7/8	10	2	260
LC 24-6-7-1/2	6-5/8	34	38-7/8	15-3/4	21-5/8	17-1/2	6-1/8	4-1/2	16-1/2	10-7/8	10	2	265
LC 24-6-10	6-5/8	34	38-7/8	15-3/4	21-5/8	17-1/2	6-1/8	4-1/2	18	10-3/4	13-3/8	3	315

Note: Third set of digits in model number denotes motor horsepower.
All dimensions are in inches.

ORDERING INFORMATION

1. Specify model number and quantity.
2. Indicate available power; voltage, phase, and hertz.
3. Blowers supplied with open motors. If T.E.F.C. motor is required, indicate by adding 'T' to model number such as LC 8-4-1-T.
4. Specify blower discharge position. (Note: Unless otherwise specified, blowers will be shipped with Number 1 outlet position). If reverse rotation is desired, indicate by adding 'A' to model number such as LC 8-4-1-2A.
5. Specify desired accessories and spares.
6. Specify shipping instructions.



NOTE : View shown from motor side of blower.

CAUTION: Operation of combustion equipment can be hazardous resulting in bodily injury or equipment damage. Each burner should be supervised by a combustion safeguard and only qualified personnel should install, make system adjustments and perform any required service.



ORDAN THERMAL PRODUCTS LTD
Combustion Equipment & Controls for Industry
21 Amber St # 9, Markham Ontario Canada L3R 4Z3
Tel: (905) 475-9292 Fax: (905) 475-3286
www.ordanthermal.com

NOTICE: PYRONICS practices a policy of continuous improvement in the design of its products. It reserves the right to change the specifications at any time without prior notice.