

MINI L.C. BLOWERS FILTERED INLET

MODEL: 4120 - LC

Revision: 0

BULLETIN
4120

DESCRIPTION

Model 4120-LC (Low Cost) Blowers are rugged, dependable, constant pressure machines. These blowers are used for many industrial and commercial applications requiring air at a specific pressure and volume.

The unique design of the single stage unit incorporates a minimum of field maintenance. Sideplates and scroll are steel. Special designed extruded rubber seals, held tight by tie bolts, prevent leakage. Aluminum impellers, direct connected, provide smooth and quiet operation of the blowers.

3450 RPM face-mounted open or T.E.F.C. motors are furnished. No special shafts are required. Outlet positions are easily changed in the field to accommodate the installation. Sturdy, angle-type legs may be bolted in one of four positions. The blowers are supplied with filtered inlet, counter-clockwise rotation (as viewed from the motor side), bottom horizontal discharge flange with extension for flexible connection.

All these features incorporated in our LC Blower permit easy, rapid cleaning with a minimum of maintenance.

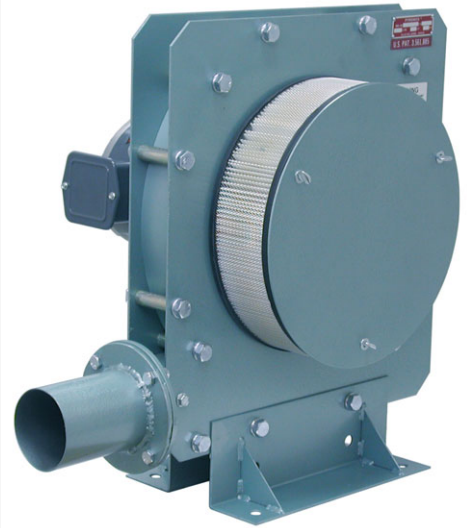
Available accessories to be used with the LC Blowers are the **Flexible Blower Sleeves** and **Blower Vibration Pads**. Blower silencer packages are not required.

NOTE:

1. CFM capacities are based on the motor service factor, 60 Hz, 3450 RPM.
2. Blower motor may be damaged if operated without limiting orifice.

CAPACITY TABLE

Model Number	CFM		Motor H.P.	Pressure	Weight	
	T.E.F.C.	Open			Lbs.	Kgs.
LC 4-3-1/3	116	-----	1/3	4 osi	65	29.48
LC 6-3-1/3	116	133	1/3	6 osi		
LC 8-3-1/2	133	166	1/2	8 osi		



FEATURES

- Low cost
- High capacity
- Rugged, light weight construction
- Low maintenance
- Capacities -- 116-166 cfm
- Filtered inlet
- Pressures - 4, 6, and 8 osi
- Four standard discharge positions - easily changed
- All units factory tested before shipment

CAUTION: Operation of combustion equipment can be hazardous resulting in bodily injury or equipment damage. Each burner should be supervised by a combustion safeguard and only qualified personnel should install, make system adjustments and perform any required service.



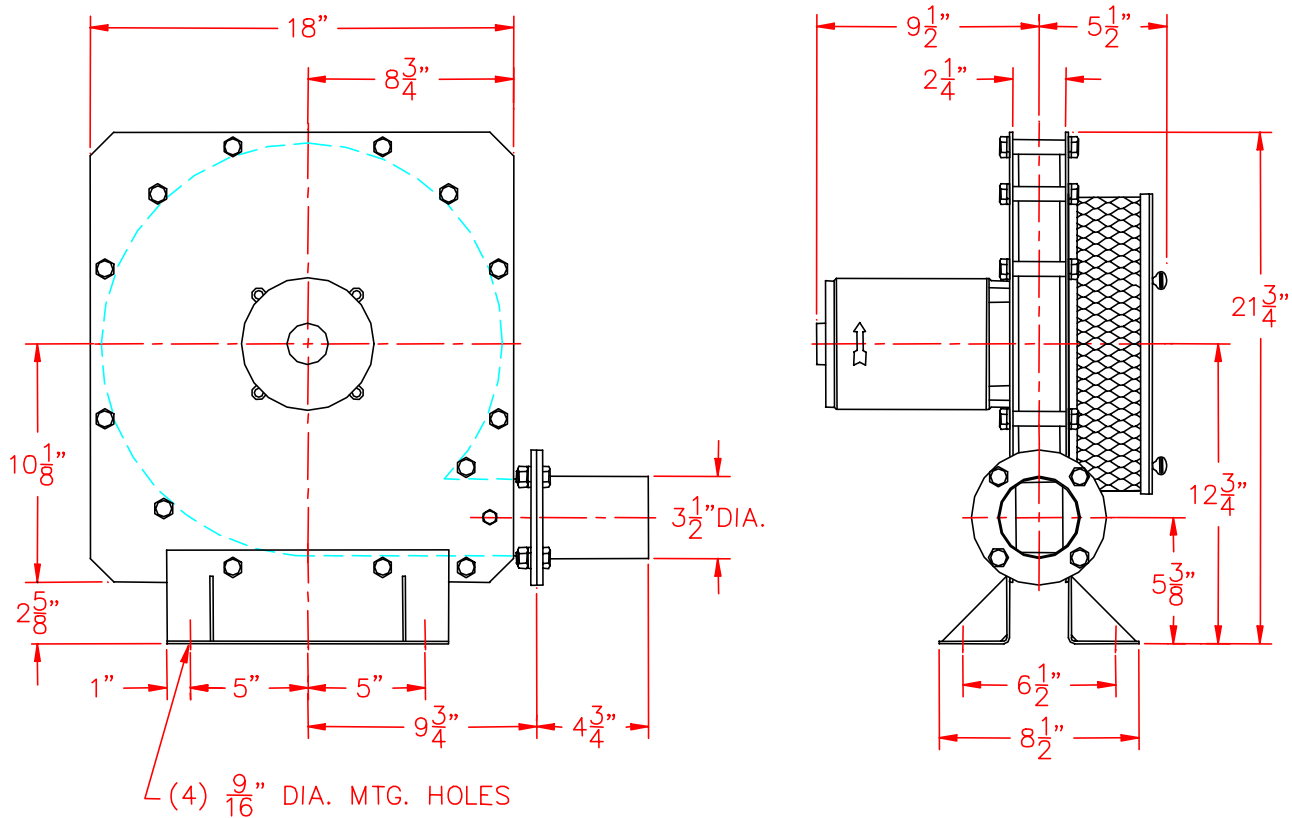
ORDAN THERMAL PRODUCTS LTD
Combustion Equipment & Controls for Industry
21 Amber St # 9, Markham Ontario Canada L3R 4Z3
Tel: (905) 475-9292 Fax: (905) 475-3286
www.ordanthermal.com

NOTICE: PYRONICS practices a policy of continuous improvement in the design of its products. It reserves the right to change the specifications at any time without prior notice.

MINI L.C. BLOWERS FILTERED INLET

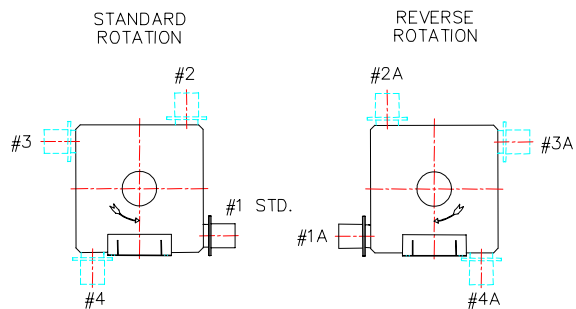
BULLETIN 4120
PAGE NO. 2

DIMENSIONS



ORDERING INFORMATION

1. Specify model number and quantity.
2. Indicate available power; voltage, phase, and hertz.
3. Blowers supplied with open motors. If T.E.F.C. motor is required, indicate by adding 'T' to model number such as LC 6-3-1/3-T.
4. Specify blower discharge position (Note: Unless otherwise specified, blowers will be shipped with Number 1 outlet position). If reverse rotation is desired, indicate by adding 'A' to model number such as LC 6-3-1/3-2A.
5. Specify desired accessories and spares.
6. Specify shipping instructions.



NOTE : View shown from motor side of blower.