

ELECTRONIC FLAME SUPERVISION FLAME SIGNAL MONITOR

MODEL: FSM
Revision: 0

DESCRIPTION

The model 7164 Flame Signal Monitor is an accessory for the Pyronics multiple Sens-A-Flame II model 7112. It is used to measure the flame detector signal strength from each burner of a multiple burner combustion system. This system provides a simple and rapid method of monitoring the condition of combustion and combustion system safeguard.

System maintainance is simplified by use of the model 7164-FSM . A comparison of weekly or monthly readings will indicate the need for maintenance before a problem becomes severe enough to cause a shutdown and curtail production. A drop in signal strength can indicate a potential problem, such as a change in combustion parmeteres, erosion of a flame rod, dirt on the flame rod insulators or on the Ultra Violet Detectors.

Parallel connection to the detector at the combustion safeguard system provides independent operation. It will not interfere with normal operation or shutdown of the system. A Rotary switch indexes the meter, selecting the burner signal to be monitored. The burner number selected is shown on the switch dial plate. Display of the selected detector signal is provided by a 3 1/2" meter calibrated in micro-amperes. The model 7164-FSM easily flush mounts on the face of a control center. Gasketing prevents entraince of dust and dirt into the housing. The package is designed to NEMA 12 specifications.

SPECIFICATIONS

Voltage : 120V 50/60Hz +10% -15%

Current : 0.08A (10VA maximum)

Ambient Temperature : -10 degrees to 125 degrees F (-23 degrees to 52 degrees C)

Meter Range : 0 to 50 micro-amperes 2.7" scale

Calibration : Factory set - Auto zero

Selector Switch : Sealed, Rotary operated 2 to 11, 12 to 19, or 12 to 23, depending upon number of burners to be monitored. switch provides an off position.

Cabel Length : 10 feet standard

Overall Size : 9.25" Wide x 4.5" High x 4" Deep

Mounting Refer to dimension drawing on page 2



FEATURES

- Read flame signal without opening control cabinet
- Available from 2 to 23 burners
- NEMA 12 type construction
- 3 1/2" meter, reading in micro-amperes
- Sealed rotary indexing switch
- Applicable to any model 7112 Sens-A-Flame II
- Parallel connections monitor signals independent of combustion safeguard operation

APPLICATIONS

- A valuable maintenace tool. Deteriorating signal indicate when servicing is required.
- Adjust each pilot for peak signal strength to assure dependable burner operation
- Monitoring a burner over full operating range (low fire, high fire, excess air and alternate fuels) will indicate the total operating reliability.

CAUTION: Operation of combustion equipment can be hazardous resulting in bodily injury or equipment damage. Each burner should be supervised by a combustion safeguard and only qualified personnel should install, make system adjustments and perform any required service.



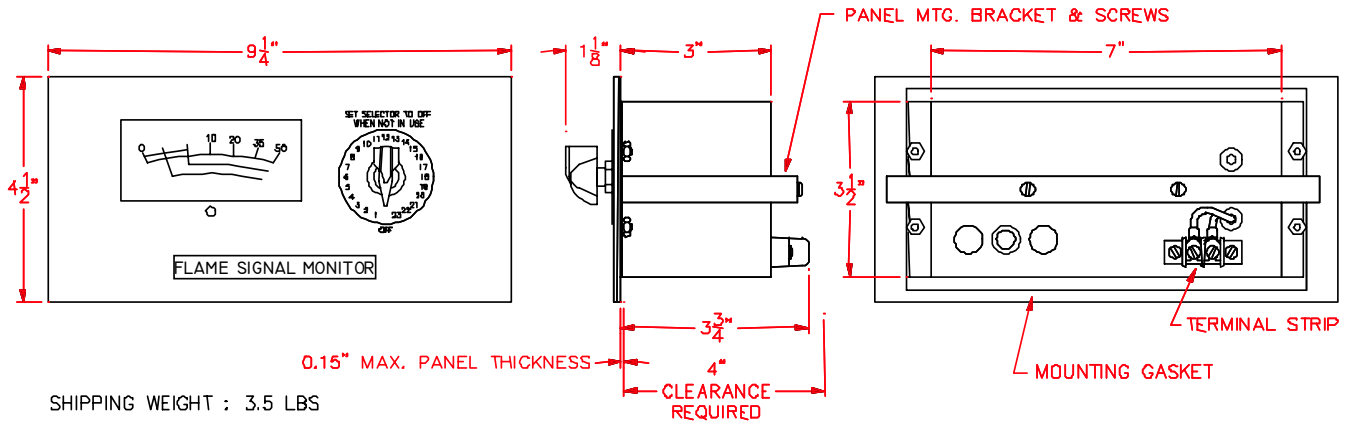
ORDAN THERMAL PRODUCTS LTD
Combustion Equipment & Controls for Industry
21 Amber St # 9, Markham Ontario Canada L3R 4Z3
Tel: (905) 475-9292 Fax: (905) 475-3286
www.ordanthermal.com

NOTICE: PYRONICS practices a policy of continuous improvement in the design of its products. It reserves the right to change the specifications at any time without prior notice.

ELECTRONIC FLAME SUPERVISION

BULLETIN
7164
PAGE NO.2

DIMENSIONS



INSTALLATION

1. Make cutout according to figure 1, allowing 4" clearance behind panel.
2. Remove mounting bracket and 2 mounting screws as shown in general Dimension.
3. Insert housing into cutout. Replace mounting bracket and 2 mounting screws.
4. Secure unit to panel using 2 mounting screws to clamp mounting bracket in place **Do not over tighten.**
5. Connect power (120V 50/60Hz) to the terminal strip.
6. Connect 2 position nylon sockets at end of cable to math 2 pin plug at lower right side of Sens-A-Flame II. Flange on side of socket should engage clip on side of plug to provide positive polarity connection. Refer to figure 2
7. Numbered wires are connected to the matching flame sensor terminals along with wires from Flame rods or Ultra Violet detectors.

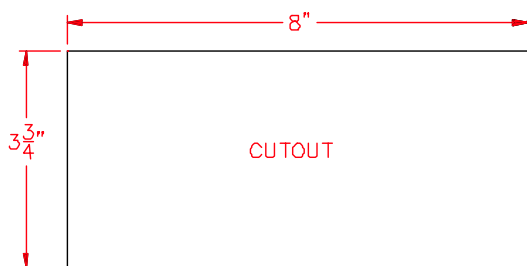


FIGURE 1

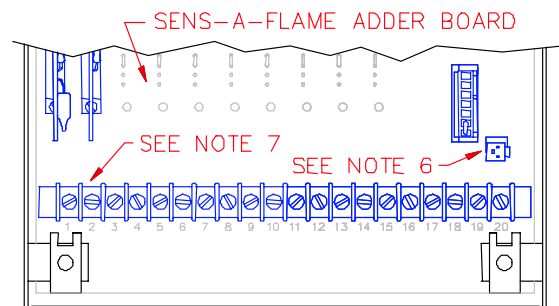


FIGURE 2

ORDERING INFORMATION

1. For use with model 7112 Sens-A-Flame II.
2. Only one Sens-A-Flame II chassis may be monitored by one FSM
3. 10 foot standard cable length. Consult factory for other cable lengths
4. Specify Shipping instructions

7164 - XX XX

- Actual number of burners to be monitored
02 through 23
- Unit maximum number of burners possible
11 (2 to 11 burners)
19 (12 to 19 burners)
23 (20 to 23 burners)

CAUTION: Operation of combustion equipment can be hazardous resulting in bodily injury or equipment damage. Each burner should be supervised by a combustion safeguard and only qualified personnel should install, make system adjustments and perform any required service.



ORDAN THERMAL PRODUCTS LTD
Combustion Equipment & Controls for Industry
21 Amber St # 9, Markham Ontario Canada L3R 4Z3
Tel: (905) 475-9292 Fax: (905) 475-3286
www.ordanthermal.com

NOTICE: PYRONICS practices a policy of continuous improvement in the design of its products. It reserves the right to change the specifications at any time without prior notice.