

ADAPTER FOR RACK MOUNTING OF ESTRO BOXES SERIES ADP RACK

MODEL: 7502

Revision: 0

BULLETIN
7502

DESCRIPTION

The **ADP-RACK** is a mounting kit that contains all the necessary items to mount the ESTRO flame safety device into the face of a control cabinet. The kit also contains the necessary gasket material to provide a NEMA 13 rated enclosure.

MOUNTING INSTRUCTIONS

- Open the ESTRO by unscrewing the four closing screws and separate the box.
- Cut a hole in the panel face using the “Cutout Pattern” provided on page 2.
- Remove the protective film from the gasket (Item 3). Locate gasket (adhesive side toward plate) on the front adapter plate (Item 2).
- Insert threaded hexagons (Item 5) into holes in ESTRO front cover (Item 4) as shown in Isometric View.
- Place the front adapter plate (Item 2) in the position shown in Isometric View. Attach with and tighten the four screws as shown in the Isometric View.
- Insert the ESTRO, from the outside of the panel, into the previously made cutout opening.
- Locate the back mounting plates (Item 6) as shown in Isometric View. Insert screws (Item 7) into the threaded hexagons and tighten.
- Insert and tighten screws (Item 8) such that the ESTRO box is firmly affixed to the panel.
- Make necessary wiring connections. If the ESTRO back cover is to be used, finish cutting cable access holes and pull cabling through the holes.
- If using the ESTRO back cover, replace cover and tighten screws (Item 10).

The completed installation must be in compliance with the regulations in force at the time and in the place of installation.

CAUTION: Operation of combustion equipment can be hazardous resulting in bodily injury or equipment damage. Each burner should be supervised by a combustion safeguard and only qualified personnel should install, make system adjustments and perform any required service.

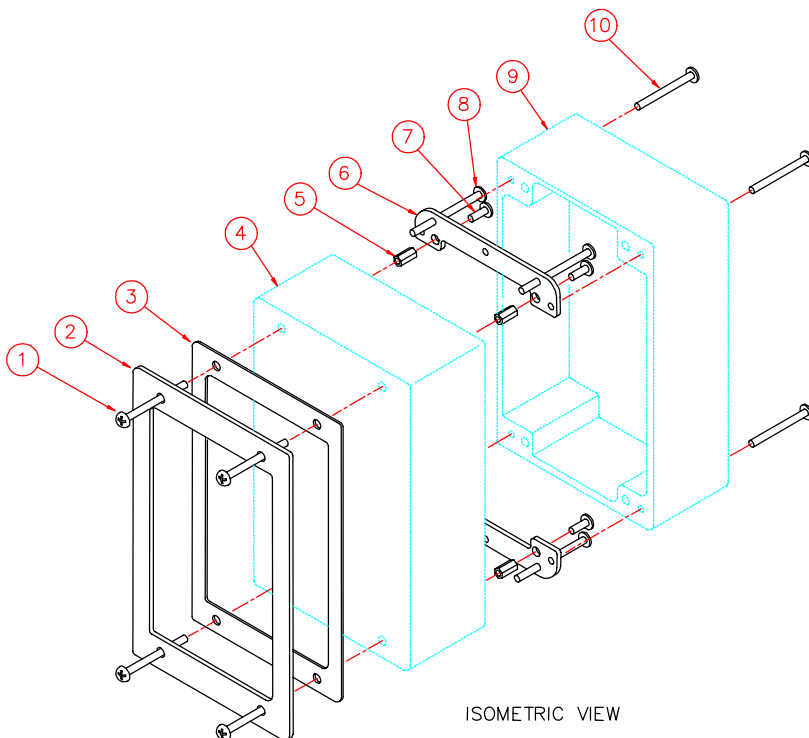
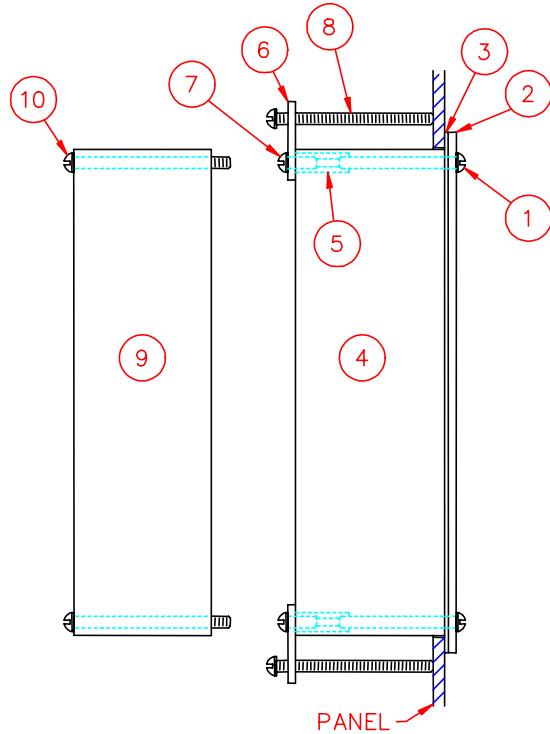
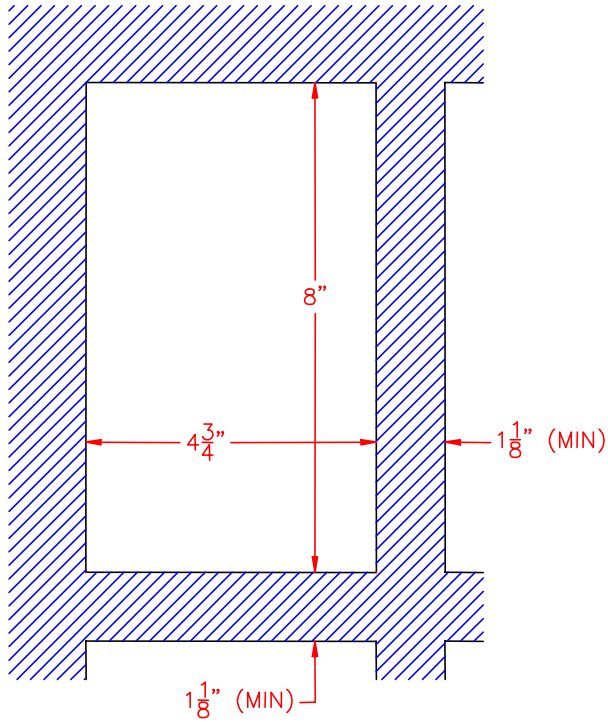


ORDAN THERMAL PRODUCTS LTD
Combustion Equipment & Controls for Industry
21 Amber St # 9, Markham Ontario Canada L3R 4Z3
Tel: (905) 475-9292 Fax: (905) 475-3286
www.ordanthermal.com

NOTICE: PYRONICS practices a policy of continuous improvement in the design of its products. It reserves the right to change the specifications at any time without prior notice.

ADAPTER FOR RACK MOUNTING OF ESTRO BOXES SERIES ADP RACK

BULLETIN 7502
PAGE NO.2



Item	Description	Qty.
1	Screws M4 x 40	4
2	Front adapter	1
3	Gasket	1
4	ESTRO box	1
5	Hexagons M4 x 15	4
6	Back adapters	2
7	Screws M4 x 8	4
8	Screws M4 x 55	4
9	Back cover	1
10	Screws M4 x 55	4

NOTE: All screws are metric. Items 4 and 9 are not included in the ADP RACK kit.