

RETENTION NOZZLE-ALLOY

MODEL: RNA

Revision: 0

**BULLETIN
3104**



RNA



RNA-S

FEATURES

- Series of blast nozzles with alloy shells and inserts
- Smaller diameter shells for closer spacings
- Controlled flames to 30" W. C. mixture pressure
- Operation over 60%-90% aeration range (open firing)
- Will operate at 100% mix when totally enclosed
- Simplified manifolding - - - threads are on shell

USES

- Spot heating - direct flame impingement
- Immersion tube firing
- Small heating furnaces
- Glass bending
- Flame hardening
- Soldering
- Tin and lead pot firing
- Large pilots

CAPACITY TABLE

CAPACITIES SHOWN IN 1000'S BTU/HR AT 80% AERATION

Catalog No.	Pipe Size	Mixture Pressure in Inches W. C.								
		.25"	2"	4"	6"	8"	12"	16"	20"	30"
6 RNA	3/4"	6	17	25	30	35	45	50	55	70
8 RNA	1"	12	35	50	60	70	85	100	110	135
10 RNA	1-1/4"	25	70	100	120	140	170	200	220	270
12 RNA	1-1/2"	45	130	180	220	260	320	370	410	500

If spark plug is required add -s suffix.

CAUTION: Operation of combustion equipment can be hazardous resulting in bodily injury or equipment damage. Each burner should be supervised by a combustion safeguard and only qualified personnel should install, make system adjustments and perform any required service.



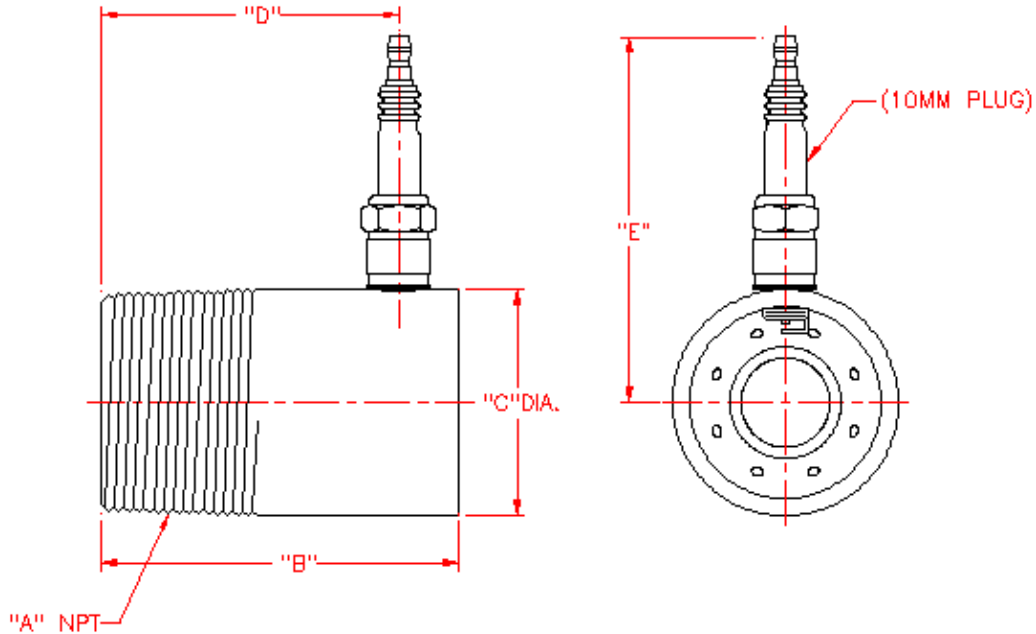
ORDAN THERMAL PRODUCTS LTD
Combustion Equipment & Controls for Industry
 21 Amber St # 9, Markham Ontario Canada L3R 4Z3
 Tel: (905) 475-9292 Fax: (905) 475-3286
www.ordanthermal.com

NOTICE: Pyronics practices a policy of continuous improvement in the design of its products. It reserves the right to change the specifications at any time without prior notice.

RNA NOZZLES RETENTION NOZZLE-ALLOY

BULLETIN 3104
PAGE NO.2

DIMENSIONS



DIMENSIONS

Catalog No.	Description	A NPT	B	C DIA	D	E
6 RNA	Less 10mm tap & plug	3/4	2-5/16	1-3/64	-	-
8 RNA		1	2-1/2	1-5/16	-	-
10 RNA		1-1/4	2-1/2	1-21/32	-	-
12 RNA		1-1/2	3	1-29/32	-	-
6 RNA-S	With 10mm tap & plug	3/4	2-5/16	1-3/64	1-15/16	2-5/8
8 RNA-S		1	2-1/2	1-5/16	1-15/16	2-3/4
10 RNA-S		1-1/4	2-1/2	1-21/32	2-3/16	3
12 RNA-S		1-1/2	3	1-29/32	2-1/2	3-1/8

All dimensions are in inches $\pm 1/8$. If spark plug is not required, drop -s suffix.

ORDERING INFORMATION

Orders should show catalog number and quantity of each size RNA or RNA-S tips required.

If in doubt about the data, send us complete information as to application requirements, kind of gas, mixture pressure available and quality of mixture to be used, and we will be glad to assist in making correct selection for your job.