

PILOT BLAST TIPS

MODEL: 3121, 3131 - BTSA

Revision: 0

**BULLETIN
3121, 3131**

DESCRIPTION

This series of alloy pilot blast tips are for use on the single and multiple tunnel nozzle mix burners. They can also be used for spot heating operations. All blast tips in this series are extremely stable over the entire operating range, see the capacity table below.

These blast tips will operate with air/fuel ratios ranging from 70% to 100% aeration.

The long flame of the 64BTSA and 86BTSA ensures proper ignition of the large nozzle mix style burners for both fuels and light oils.



NOMINAL CAPACITIES - ALL PILOT TIPS - 1000's BTU/HR

Catalog Number	Mixture Pressure - Inches W. C.							
	3	6	9	12	18	24	30	36
41 BTSA	5.5	7.7	9.5	11.0	13.5	15.4	17.4	19.0
62 BTSA	10.6	15.0	18.0	21.0	26.0	30.0	34.0	37.0
84 BTSA	20.0	29.0	35.0	40.0	50.0	58.0	64.0	70.0
64 BTSA	23.0	32.0	39.0	45.0	55.0	64.0	71.0	78.0
86 BTSA	43.0	60.0	74.0	85.0	104.0	120.0	134.0	147.0

This series of pilot tips come with a 10 mm spark plug. A 14 mm spark plug is available for the 64 & 86 BTSA upon special order. Also available is a manual ignition port for all series tips.

The pilots have been designed specifically to provide

reliable ignition against the back pressures generated during the start up of industrial style burners.

These tips can be used to ignite any burner requiring a blast type pilot and come with an optional grounding fin for use with Flame Rods.

CAUTION: Operation of combustion equipment can be hazardous resulting in bodily injury or equipment damage. Each burner should be supervised by a combustion safeguard and only qualified personnel should install, make system adjustments and perform any required service.

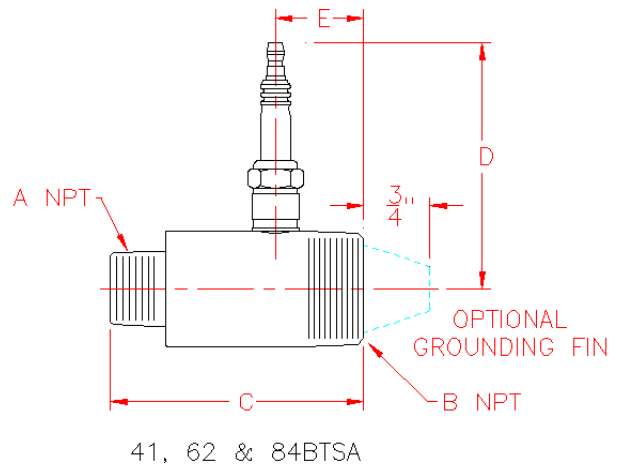
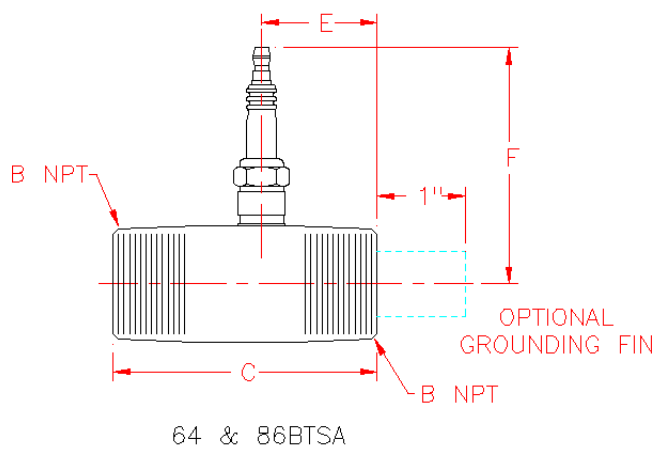


ORDAN THERMAL PRODUCTS LTD
Combustion Equipment & Controls for Industry
 21 Amber St # 9, Markham Ontario Canada L3R 4Z3
 Tel: (905) 475-9292 Fax: (905) 475-3286
www.ordanthermal.com

NOTICE: Pyronics practices a policy of continuous improvement in the design of its products. It reserves the right to change the specifications at any time without prior notice.

PILOT BLAST TIPS

BULLETIN
3121, 3131
PAGE NO.2



DIMENSIONS

Catalog Number	Burner Area Sq. In.	"A" NPT	"B" NPT	"C"	"D"	"E"	Weight Ounces
41 BTSA	0.0264	1/8"	1/2"	2-1/4"	2-7/32"	1"	3-1/2
62 BTSA	0.0510	1/4"	3/4"	2-1/2"	2-1/2"	1"	5
84 BTSA	0.0971	1/2"	1"	2-7/8"	2-11/16"	1"	10
64 BTSA	0.0722	-	3/4"	3"	2-7/32"	1-1/16"	5
86 BTSA	0.1866	-	1"	3"	2-1/2"	1-5/16"	8

Coefficient of Discharge Approximately = .8

Spark Plug gap should be set to .045"

ORDERING INFORMATION

- To order standard pilots indicate Catalog Number and quantity.
- To order any of the optional pilot tips add the following suffixes:
For the Manual Ignition Port: **-M**
For the 14 mm Spark Plug: **-14 mm**
For the Ground Fin: **-F**

Example: For a 64BTSA pilot tip with the 14 mm Spark Plug and Ground Fin the Catalog Number would become: **64BTSA-14 mm-F**