

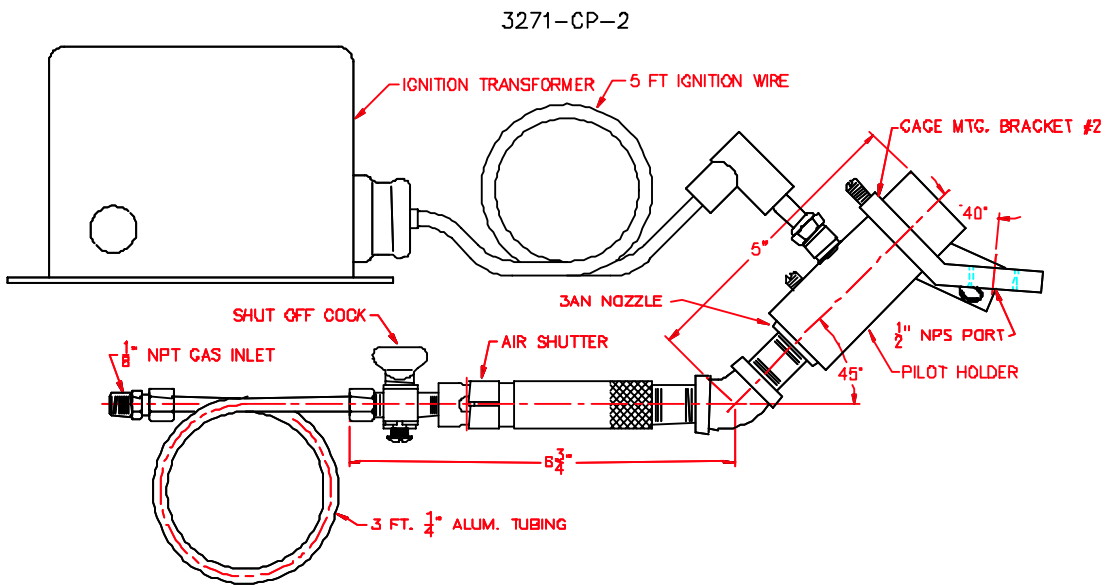
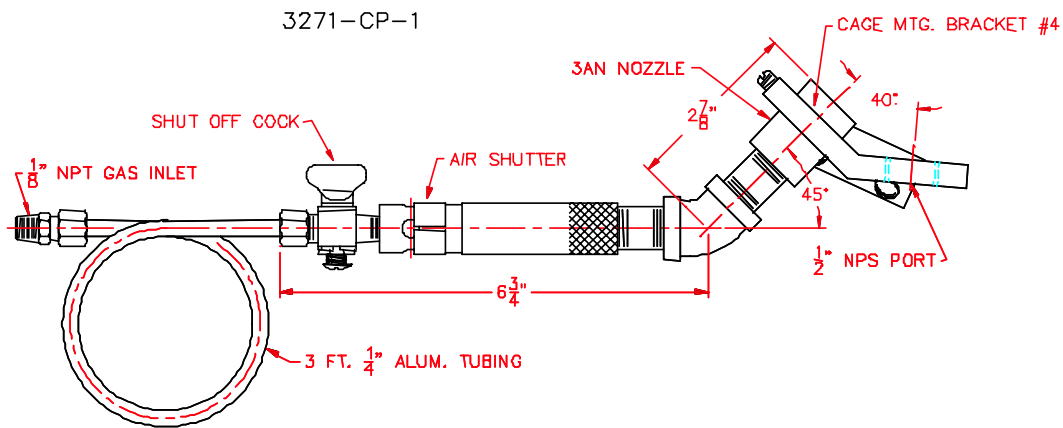
COIL CAGE PILOTS

MODEL: CP SERIES

Revision: 0

BULLETIN
3271

Atmospheric CP pilots are Designed for use on Coil Cage burners and are easily mounted with the use of a universal bracket (01510 series)



CAUTION: Operation of combustion equipment can be hazardous resulting in bodily injury or equipment damage. Each burner should be supervised by a combustion safeguard and only qualified personnel should install, make system adjustments and perform any required service.



pyronics inc.
COMBUSTION FOR INDUSTRY

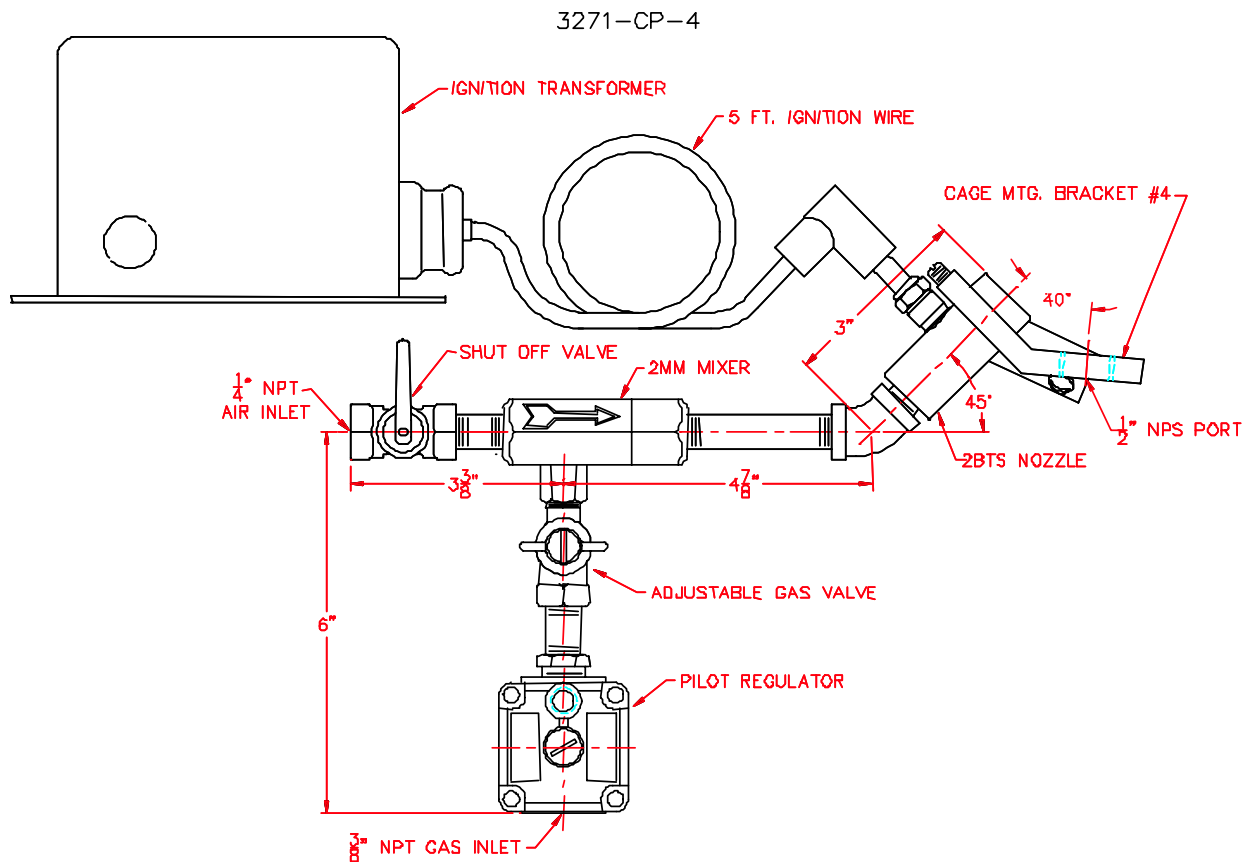
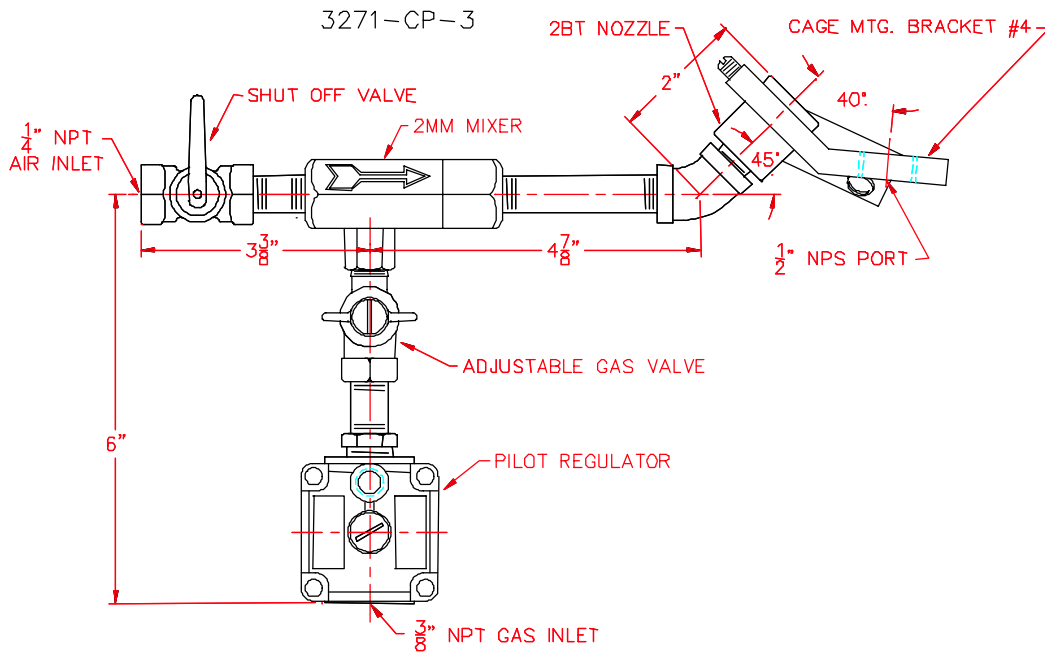
17700 MILES AVE.
CLEVELAND, OHIO 44128
www.pyronics.com

PHONE: (216) 662-8800
FAX: (216) 663-8954
marketing@pyronics.com

NOTICE: Pyronics practices a policy of continuous improvement in the design of its products. It reserves the right to change the specifications at any time without prior notice.

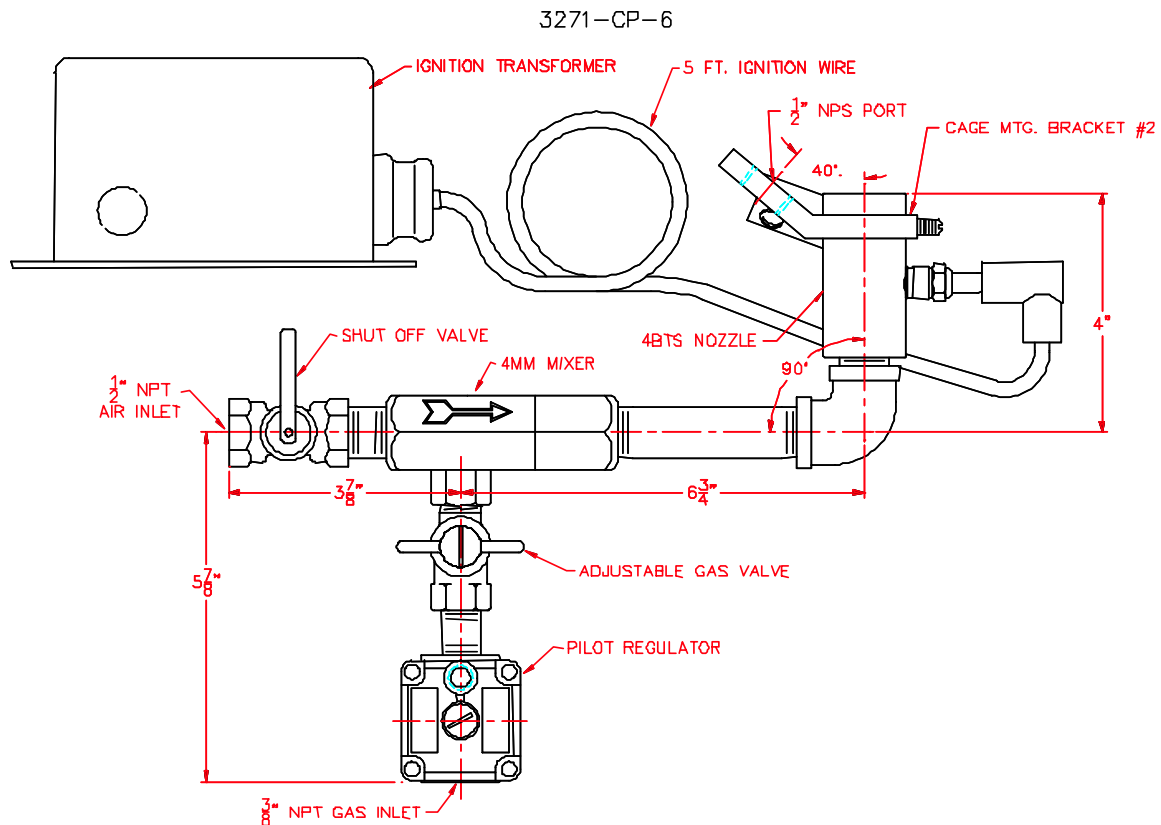
COIL CAGES PILOTS

BULLETIN 3271
PAGE NO.2



COIL CAGES PILOTS

BULLETIN 3271
PAGE NO.3



CAUTION: Operation of combustion equipment can be hazardous resulting in bodily injury or equipment damage. Each burner should be supervised by a combustion safeguard and only qualified personnel should install, make system adjustments and perform any required service.



pyronics inc.

COMBUSTION FOR INDUSTRY

17700 MILES AVE.
CLEVELAND, OHIO 44128

PHONE: (216) 662-8800
FAX: (216) 663-8954

PYRONICS INTERNATIONAL S.A.
ZONING INDUSTRIEL, 4EME RUE
B-6040 JUMET BELGIUM
PHONE: (32) 71-256970
FAX: (32) 71-256979

The content on or accessible through CombustionDepot.com, (including, but not limited to) text, graphics and other materials, are provided by CombustionDepot.com, for informational purposes only. CombustionDepot.com does not claim ownership to any of the photos, images, or pictures of products on the site. These depictions are solely for information purposes and may not be an exact replication of the related product available for sale. All PDF and specification pages are gathered from the OEM web sites or publicly available information. CombustionDepot.com does not claim responsibility for any of the information found on these bulletins, documents, literature, specification charts, etc. and such information is subject to change without notice.