

Selectra[®]

Series 24

Electronic Gas Modulation System

- Space sensing temperature control
- For special applications such as construction heaters
- Use with M411, M511, M611, MR212 modulator/modulator-regulator valves



T244 Selectrastat[®] 55° to 90° F temperature sensing and selection

The Selectra[®] Series 24 system was specially designed for applications such as portable construction heaters.

The T244 Selectrastat[®] senses the ambient air and provides a dial for selecting desired room temperature within a 55° to 90° F range. The valve is driven by an A1024 amplifier. The system can be used only on units not requiring a high temperature discharge cut off.

Selectra systems maintain stable, precise temperatures. The superior alternative to mod motors and butterfly valves - M/MR valves provide instantaneous response and continual pressure adjustment.



A1024 amplifier



M411/M511 modulator valve



M611 modulator valve



MR212 modulator-regulator valve

MAXITROL[®] company

CAUTION: Operation of combustion equipment can be hazardous resulting in bodily injury or equipment damage. Each burner should be supervised by a combustion safeguard and only qualified personnel should install, make system adjustments and perform any required service.



ORDAN THERMAL PRODUCTS LTD
 Combustion Equipment & Controls for Industry
 21 Ambler St # 9, Markham Ontario Canada L3R 4Z3
 Tel: (905) 475-9292 Fax: (905) 475-3286
 www.ordanthermal.com

NOTICE: Maxitrol practices a policy of continuous improvement in the design of its products. It reserves the right to change the specifications at any time without prior notice.

Specifications

Gases: All fuel gases.

Power Supply:
24 VAC, 50/60 Hz Class II transformer

Ambient Limits:
Amplifier: Operating -40° to 125°F / -40° to 52°C
Non-operating -50° to 185°F / -46° to 85°C

Pressure Limits:
Maximum Discharge Pressure
(M411, M511, M611) 7" w.c. / 17 mbar
Max. Operating Inlet Pressure
(M411, M511, M611) 1.0 psi / 70 mbar
(MR212) 5.0 psi / 345 mbar
Max. Emergency Exposure*
(M411, M511, M611) 3.0 psi / 210 mbar
(MR212) 12.5 psi / 860 mbar
**May not function properly at this pressure, but will suffer no internal damage.*

Vent:
Models M411, M511, M611 - vertical vent outlet
1/8" NPT - 12A06 installed.
Model MR212 - two vents located in upper housing, both equipped with vent limiting means.

Modifications:
Models M411, M511 are available as "W" models - indicates covered wire terminal connections.

Models M411, M511, M611 are available with side pressure tap for reading outlet pressure - on side opposite of minimum adjustment mechanism.

Valve Mounting:
Must be mounted in upright position in horizontal pipe run, downstream of all other controls except high pressure cut-off switch if used.

Valve Adjustments

(See bulletin MT2035 for additional M/MR valve information)

NOTE: Low Fire Adjustment should be checked whenever High Fire Adjustment is changed.

High Fire Adjustments:
Rotate selector dial to maximum temperature setting.
NOTE: Voltage to the valve must be at least 18VDC.

MR212D - (see figure 1)
Remove cap (A) and turn regulator pressure adjusting screw to obtain desired manifold pressure. Clockwise rotation increases pressure.

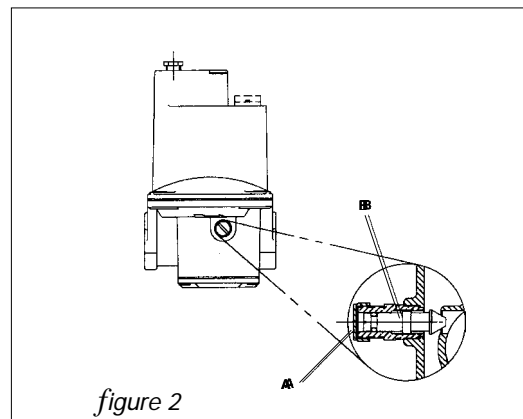
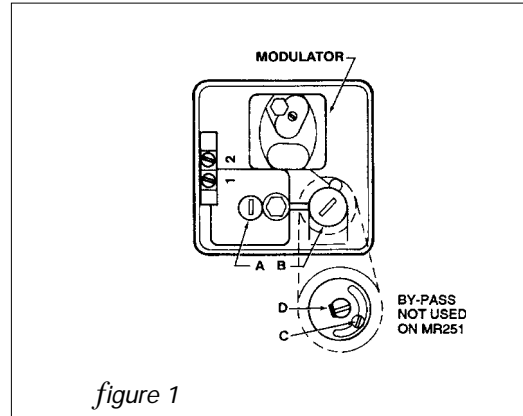
M411, M511 and M611 -
Adjust separate pressure regulator to obtain desired manifold pressure.

Low Fire Adjustments:
Disconnect a wire from M or MR valve terminal block.
NOTE: Be careful not to allow wire to come into contact with any other part.

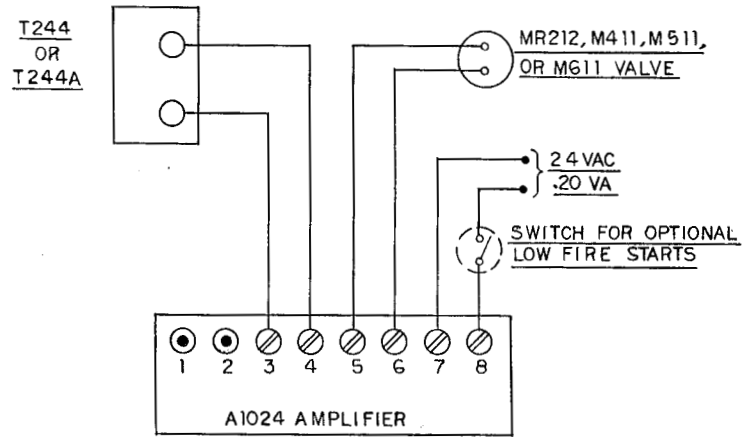
MR212D - (see figure 1)
Remove cap (B) from by-pass metering valve and loosen lock screw (C).
Turn adjusting screw (D) to desired low fire adjustment.

M411, M511 and M611 - (see figure 2)
Remove by-pass cap (A) and turn screw (B) using small screwdriver to desired low fire adjustment.

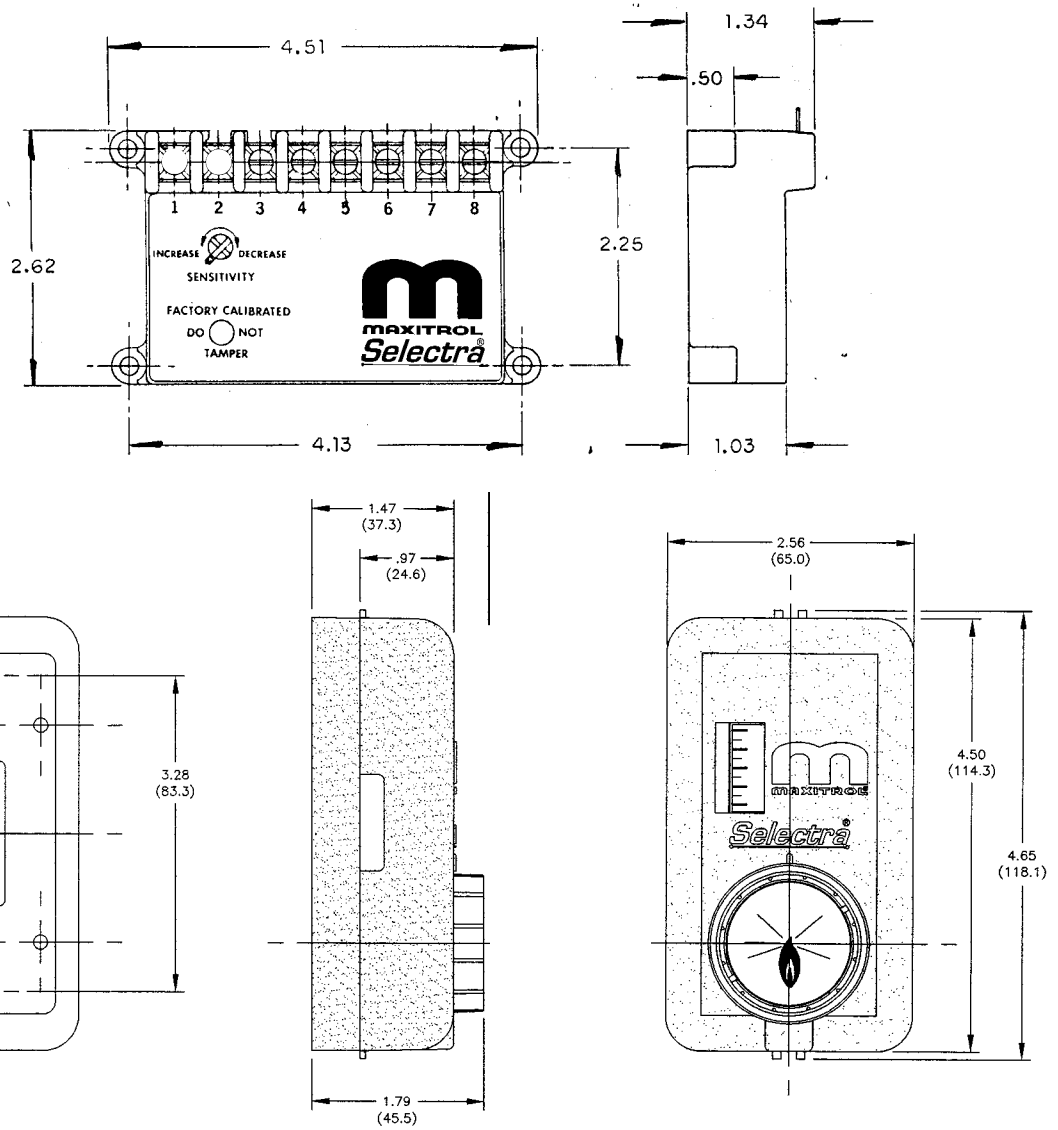
NOTE: Clockwise screw rotation reduces flow rate. Do not overtighten.



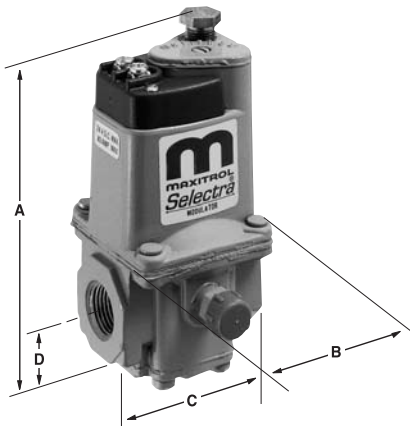
Wiring Diagram



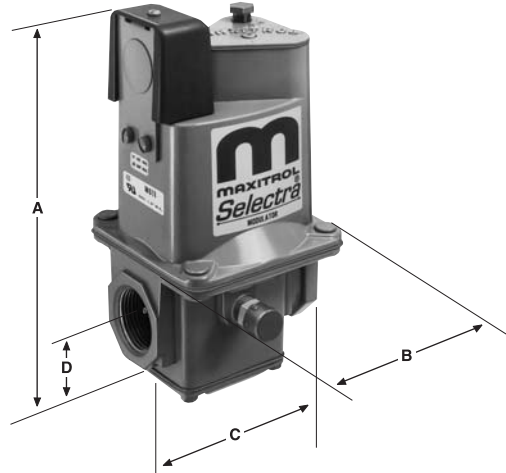
Dimensions



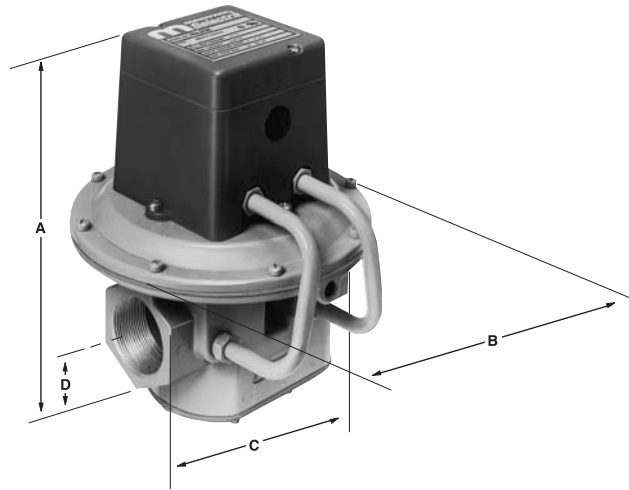
Dimensions



M411, M511



M611



MR212

Dimensions - in inches (millimeters)

Dimensions are to be used only as an aid in designing clearance for the valves. Actual production dimensions may vary somewhat from those shown.

Model Number	Swing Radius	Dimensions			
		A	B	C	D
M411	3.1 (79)	3.9 (100)	2 (51)	2.1 (54)	.9 (24)
M511	4.3 (109)	5.3 (135)	3.25 (83)	3.4 (86)	1.2 (30)
M611	7.2 (183)	7.4 (188)	3.9 (99)	4 (102)	1.5 (37)
MR212D	8.1 (206)	10.2 (259)	7 (178)	5.5 (140)	2.3 (59)

MAXITROL[®] **company**

CAUTION: Operation of combustion equipment can be hazardous resulting in bodily injury or equipment damage. Each burner should be supervised by a combustion safeguard and only qualified personnel should install, make system adjustments and perform any required service.



ORDAN THERMAL PRODUCTS LTD
Combustion Equipment & Controls for Industry
 21 Ambler St # 9, Markham Ontario Canada L3R 4Z3
 Tel: (905) 475-9292 Fax: (905) 475-3286
www.ordanthermal.com

NOTICE: Maxitrol practices a policy of continuous improvement in the design of its products. It reserves the right to change the specifications at any time without prior notice.