

C-ALL OBSERVATION PORTS

MODEL: 5713-C-ALL
5713-C-ALL-FP

Revision: 0

BULLETIN
5713



DESCRIPTION

C-ALL Observation Ports permit the operator to observe the interior of kilns, ovens, furnaces or boilers under operating conditions. The inside shutter closes automatically when the counterweighted handle is released.

Heat resisting glass window is sealed to prevent air infiltration or flame sting-out. A stainless screen protects the window and high temperature gaskets cushion the glass.

FEATURES

- Rugged cast iron construction
- Stainless shutter
- Glass easily cleaned
- Clear or cobalt blue glass
- Counterweighted handle
- Large viewing area

CAUTION: Operation of combustion equipment can be hazardous resulting in bodily injury or equipment damage. Each burner should be supervised by a combustion safeguard and only qualified personnel should install, make system adjustments and perform any required service.



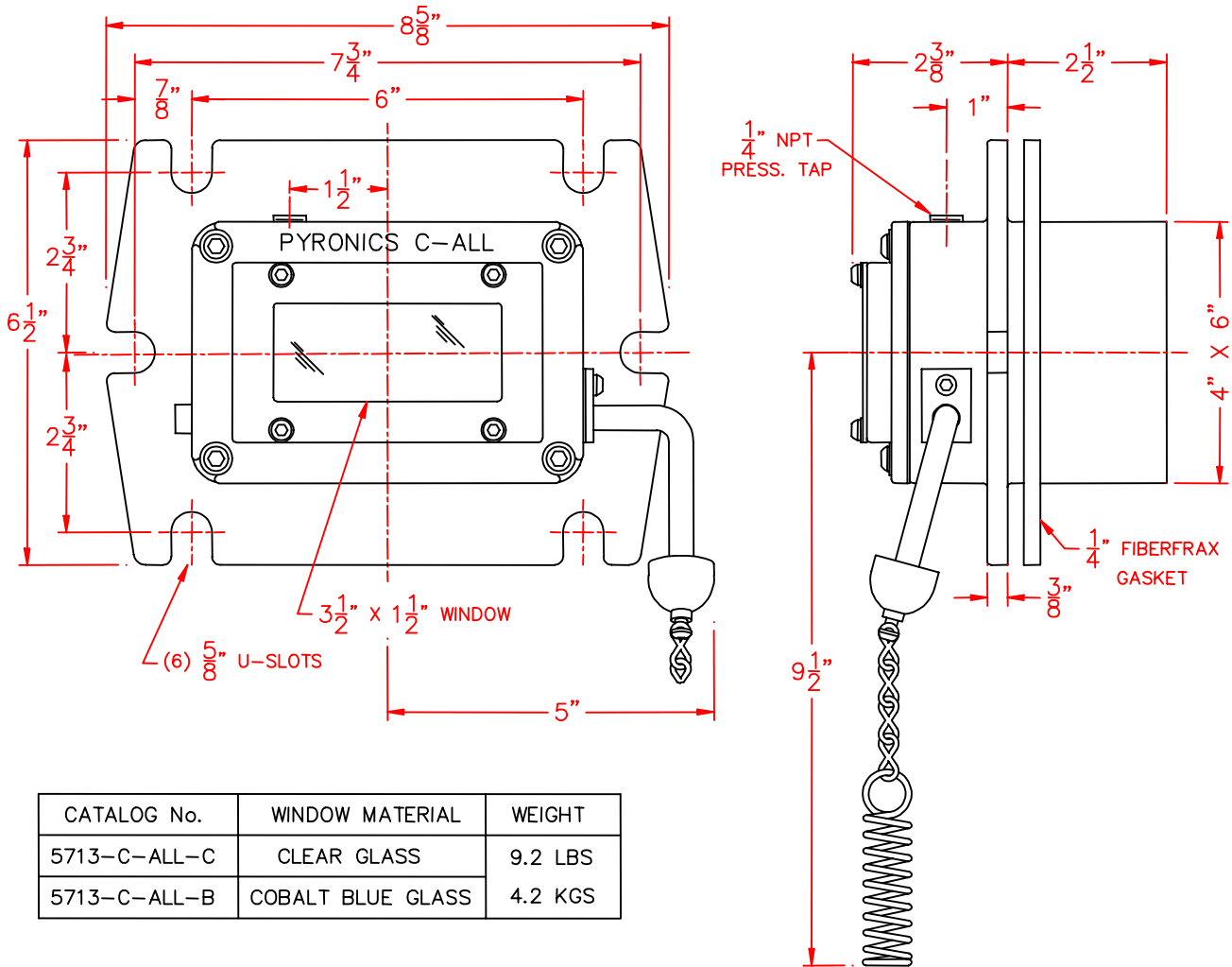
ORDAN THERMAL PRODUCTS LTD
Combustion Equipment & Controls for Industry
21 Amber St # 9, Markham Ontario Canada L3R 4Z3
Tel: (905) 475-9292 Fax: (905) 475-3286
www.ordanthermal.com

NOTICE: PYRONICS practices a policy of continuous improvement in the design of its products. It reserves the right to change the specifications at any time without prior notice.

C-ALL OBSERVATION PORTS

BULLETIN 5713
PAGE NO. 2

DIMENSIONS



CATALOG No.	WINDOW MATERIAL	WEIGHT
5713-C-ALL-C	CLEAR GLASS	9.2 LBS
5713-C-ALL-B	COBALT BLUE GLASS	4.2 KGS

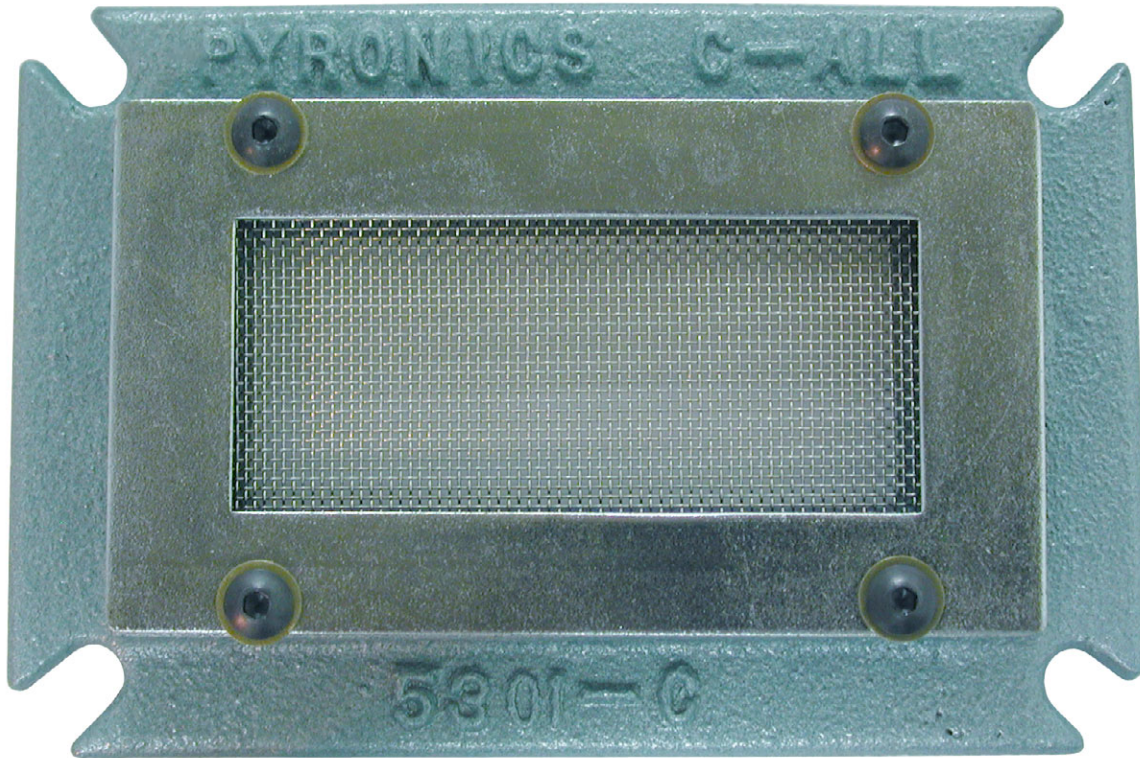
ORDERING INFORMATION

Please include the following information with your order:

1. Specify Model Number and Quantity.
2. Shipping Instructions.

C-ALL-FP OBSERVATION PORT FRONT PLATES

BULLETIN 5713
PAGE NO. 3



DESCRIPTION

C-ALL-FP Observation Ports are the front plates of the C-ALL assembly. They provide the operator with a large viewing area into ovens or air heaters operating below 700 °F.

The high temperature glass is sealed with gaskets and protected by a stainless steel screen.

FEATURES

- Cast iron frame
- Large viewing area
- Stainless steel screen
- Simple installation
- Clear or cobalt blue glass

CAUTION: Operation of combustion equipment can be hazardous resulting in bodily injury or equipment damage. Each burner should be supervised by a combustion safeguard and only qualified personnel should install, make system adjustments and perform any required service.



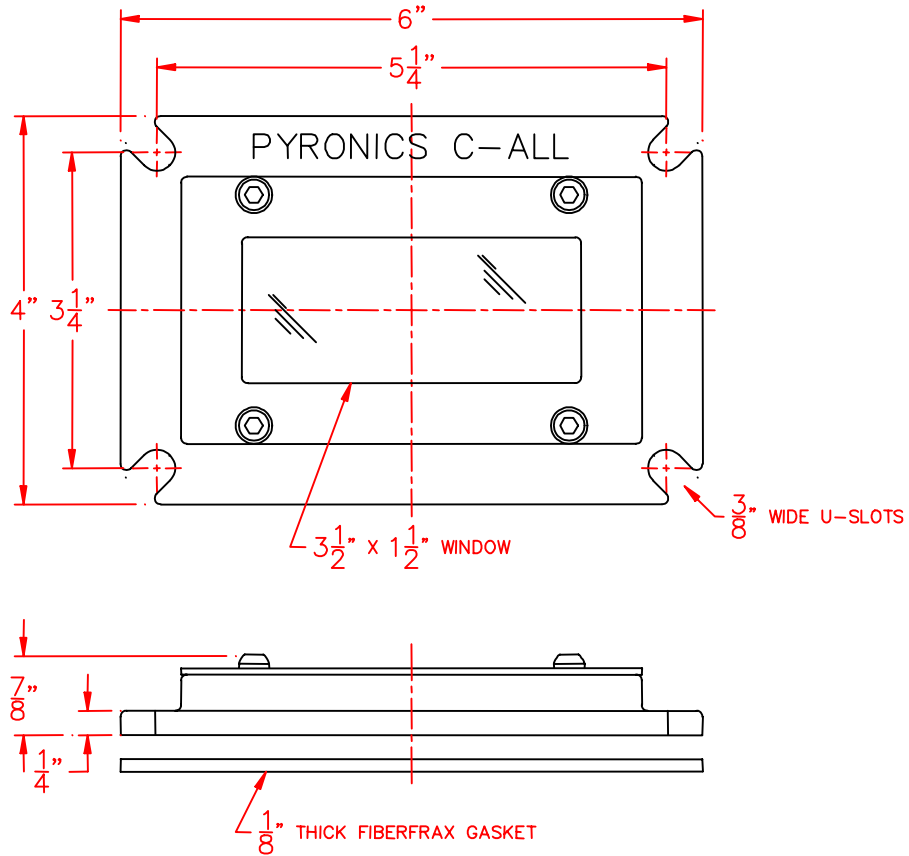
ORDAN THERMAL PRODUCTS LTD
Combustion Equipment & Controls for Industry
21 Amber St # 9, Markham Ontario Canada L3R 4Z3
Tel: (905) 475-9292 Fax: (905) 475-3286
www.ordanthermal.com

NOTICE: PYRONICS practices a policy of continuous improvement in the design of its products. It reserves the right to change the specifications at any time without prior notice.

C-ALL-FP OBSERVATION PORT FRONT PLATES

BULLETIN 5713
PAGE NO. 4

DIMENSIONS



CATALOG No.	WINDOW MATERIAL	WEIGHT
5713-C-ALL-FP-C	CLEAR GLASS	2 LBS
5713-C-ALL-FP-B	COBALT BLUE GLASS	.9 KGS

ORDERING INFORMATION

Please include the following information with your order:

1. Specify Model Number and Quantity.
2. Shipping Instructions.