

VALVES FLANGED BUTTERFLY

MODEL: 1301 - BV

Revision: 0

BULLETIN
1301

DESCRIPTION

The **BV-Butterfly Valve** has a flanged construction which eliminates the need for pipe unions. Air flow in low pressure lines (up to 3 psig) is easily and effectively controlled by the butterfly valve. This may be done manually or automatically by using suitable control equipment. These valves are designed for free flow with minimum air pressure drop. As they are not intended for tight shut-off, slight leakage (less than 2%) may occur in the closed position.

In most applications it is necessary to maintain the rate of firing above the backfire point of the burners. Manual butterfly valves are furnished with an adjustable minimum stop. After once setting this stop, the operator can turn the air up and down without danger of inadvertently going too low. Models are available for electric or pneumatic actuator operation (see Bulletins 1302 and 1303).



CAPACITY TABLE

Model No.	Pipe Size NPT (in.)	Capacity Air CFH		
		1/2" W.C. Drop	1" W.C. Drop	2" W.C. Drop
6BV	3/4	600	900	1,300
8BV	1	750	1,100	1,500
10BV	1-1/4	1,800	2,500	3,600
12BV	1-1/2	2,000	2,800	3,900
16BV	2	3,700	5,200	7,300
20BV	2-1/2	6,100	8,600	12,200
24BV	3	9,300	13,100	18,500
32BV	4	18,000	25,000	36,000
48BV	6	40,000	55,000	80,000

FEATURES

- For most fuel gases and air.
- 400 °F maximum temperature.
- Double bearing shaft - positive alignment.
- Viton "O" Ring sealed shaft.
- Thumb screw lock - holds disc position.
- Adjustable limit stop - both high and low flow.
- Disc position indicator on name plate.
- Cast iron body, steel disc.
- Large, easy-grip dial handle.
- 1/8" NPT tap for pressure.
- Simple field conversion from manual to automatic operations.

CAUTION: Operation of combustion equipment can be hazardous resulting in bodily injury or equipment damage. Each burner should be supervised by a combustion safeguard and only qualified personnel should install, make system adjustments and perform any required service.



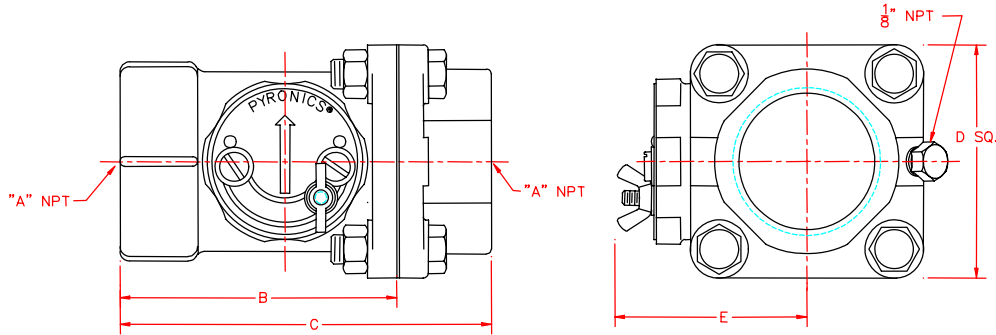
ORDAN THERMAL PRODUCTS LTD
Combustion Equipment & Controls for Industry
21 Amber St # 9, Markham Ontario Canada L3R 4Z3
Tel: (905) 475-9292 Fax: (905) 475-3286
www.ordanthermal.com

NOTICE: PYRONICS practices a policy of continuous improvement in the design of its products. It reserves the right to change the specifications at any time without prior notice.

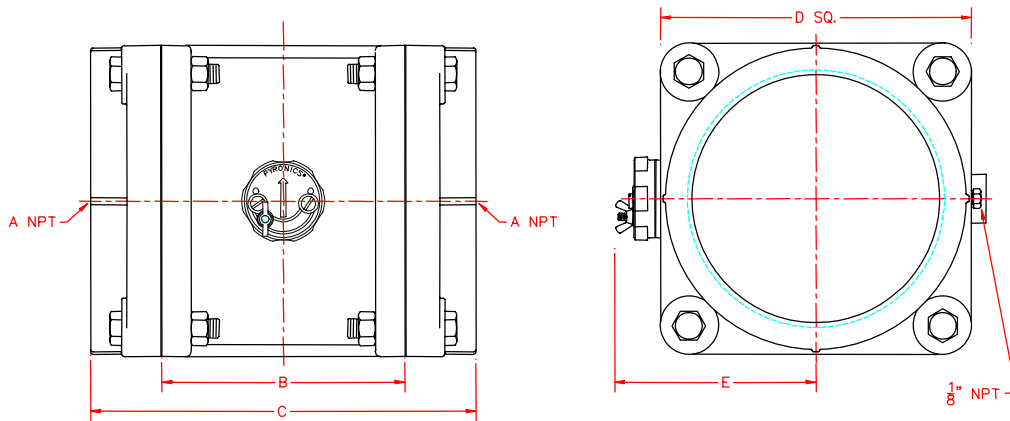
VALVES FLANGED BUTTERFLY

BULLETIN 1301
PAGE NO. 2

DIMENSIONS: 3/4" - 4" SIZES



DIMENSIONS: 6" SIZE



Model No.	A	B	C	D	E	WEIGHT	
						LBS.	KGS.
6BV	3/4	3-3/8	4-3/16	2-5/16	2-1/4	2.2	1.02
8BV	1	3-3/8	4-3/16	2-5/16	2-1/4	2.2	1.02
10BV	1-1/4	3-5/8	4-13/16	3	2-1/2	4.0	1.81
12BV	1-1/2	3-5/8	4-13/16	3	2-1/2	4.0	1.81
16BV	2	3-3/4	5	3-7/16	2-3/4	4.5	2.03
20BV	2-1/2	4-1/4	5-1/2	4	3-1/8	7.7	3.51
24BV	3	4-3/8	5-15/16	4-3/8	3-3/8	8.7	3.96
32BV	4	4-7/8	6-1/2	6	3-7/8	17.2	7.82
48BV	6	6-1/4	10	8	5-1/4	50.0	22.67

NOTE: All dimensions are in inches.

ORDERING INFORMATION

1. Specify Model Number and Quantity
2. Shipping Instructions